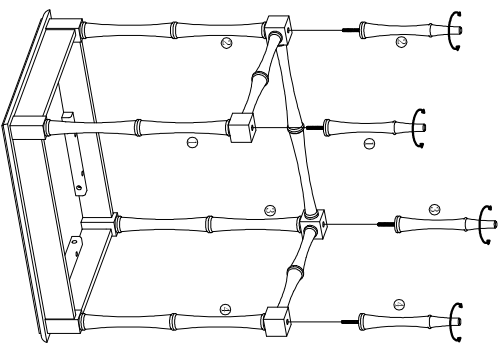


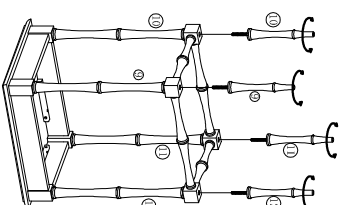
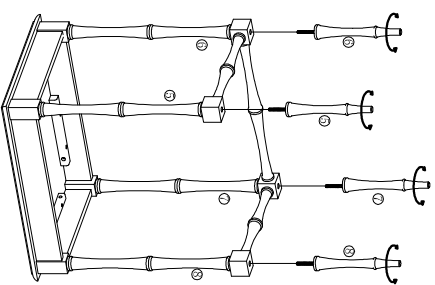


UTTERMOST

Assembly Instructions

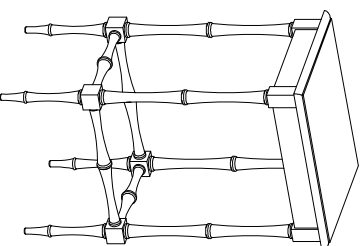
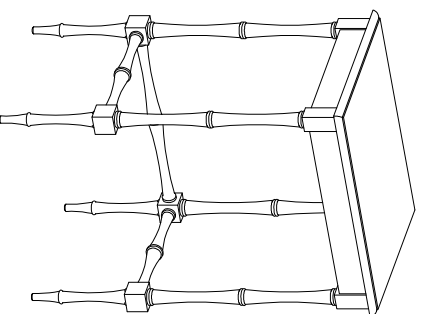
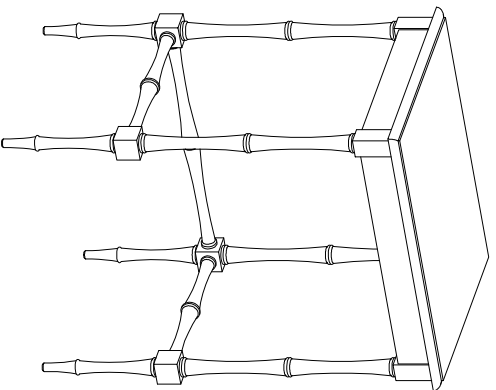


bottom frame



1. Take the parts carefully out of the carton, and place it on a flat surface, make sure that the parts will not be damaged.

2. Lay the large unit back on the floor, then install the Large Feet to the bottom frame(Follow the numbers on the feet and the bottom frame, and install one by one). The same to the middle unit and small unit.



Hardware and tool included: Large, Middle, Small Foot.

To Clean, wipe with soft dry cloth.